



**FASP**  
Seat Technologies

**9.8974 Series**  
FIRE FIGHTERS

## 9.8974 DX SERIES

### **CARATTERISTICHE:**

- Schienale fisso
- Seduta alzabile
- Alloggiamento bombola d'ossigeno
- Cintura 3 punti integrata
- Poggiatesta alzabile
- Testato

### **OPZIONI:**

- Seduta fissa (rif. 9.8973)

### **FEATURES:**

- Fixed backrest
- Folding seat cushion
- SCBA holder
- Integrated 3-point seatbelt
- Folding headrest
- Tested

### **OPTIONS:**

- Fixed seat cushion (ref. 9.8973)

### **MERKMALE:**

- Feste Rückenlehne
- Klappbare Sitzfläche
- SCBA-Halterung
- Integrierter 3-Punkt-Sicherheitsgurt
- Klappbare Kopfstütze
- Geprüft

### **OPTIONEN:**

- Feste Sitzfläche (Ref. 9.8973)

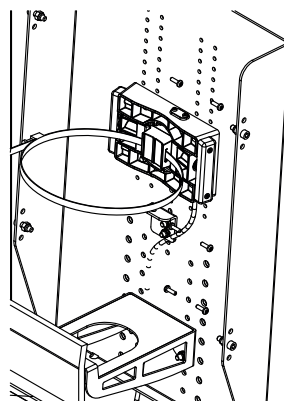
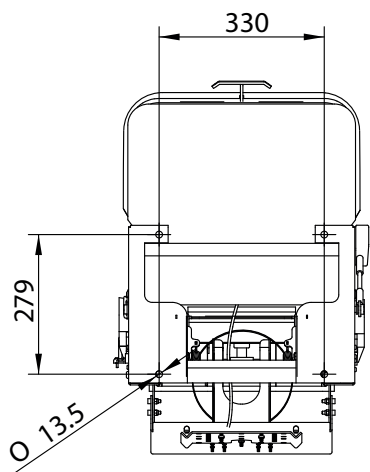
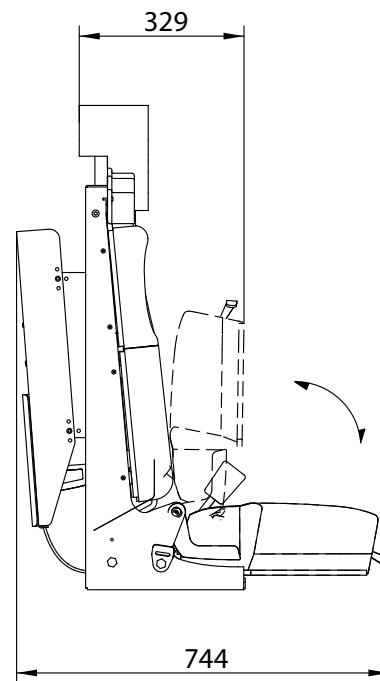
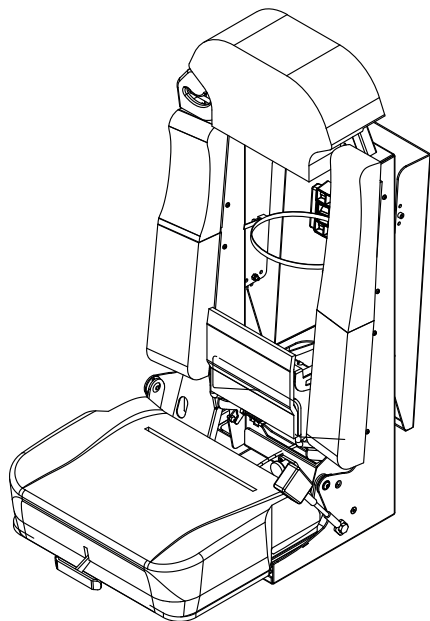
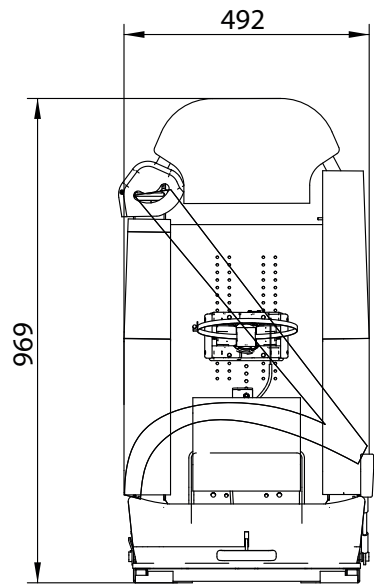
### **CARACTÉRISTIQUES:**

- Dossier fixe
- Assise rabattable
- Support pour bouteille d'oxygène (SCBA)
- Ceinture de sécurité 3 points intégrée
- Appui-tête rabattable
- Testé

### **OPTIONS:**

- Assise fixe (réf. 9.8973)







9.8974 SERIES

FASP AUTOMOTIVE SEATS s.r.l.  
Via Conicchio, 30 - 25136 - Brescia (Italy)

tel +39 030.321776 / +39 030.321885  
fax +39 030.322281  
on line [www.fasp.it](http://www.fasp.it) / [info@fasp.it](mailto:info@fasp.it)

